

## 1. GENERAL FEATURES:

**Control Points:** 8 independent outputs in volume and audio source;

**Control:** Via MD BUS;

**Applications:** Surround sound, alarm, video door phone, door bell, audible warnings and panic alarms;

**Installation:** DIN Rail Distribution Board.

## 2. GENERAL SPECIFICATIONS:

**Voltage:** 12VDC;

**Consumption:** 5A @ 12VDC;

**Storage Temperature:** -10°C to 60°C;

**Operating Temperature:** 10°C to 50°C;

**Maximum humidity:** 80% non-condensing;

**Speaker Impedance:** 4-32Ohm;

**Output power per channel:** 10W R.M.S. @ 8Ohms;

**Internal protection:** Fuse 5A T.

### Physical Specifications:

**Dimensions:** 157mm X 90mm X 70mm DIN rail mounting, 9 modules;

Box Plastic, self-extinguishing UL-94 V0;

**Level of Protection:** IP20, for indoor use.

### Directivas:



## 3. COMPATIBILITY:

**PCCWd Compatibility:** V3.2 or higher. Note that versions PCCWD V3.2, V3.31 and earlier, requires BUS Adapter;

**Mordomus Software Compatibility:** Mordomus Software v2015.2 and higher.

## 4. SECURITY:

Before making any connections, please read these instructions carefully.

Never remove the plastic base from DIN rail.

## 5. CONNECTIONS:

Thickness of conductors:

Audio Outputs:

Mono-wire 2.5mm<sup>2</sup>;

Multi-wire 2.5mm<sup>2</sup>;

Input Sound:

Coaxial cable shield;

Bus Circuit:

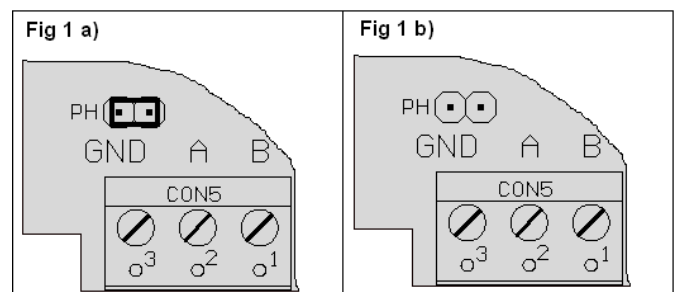
CAT6 Cable F/UTP shielded, twisted;

Circuit Power:

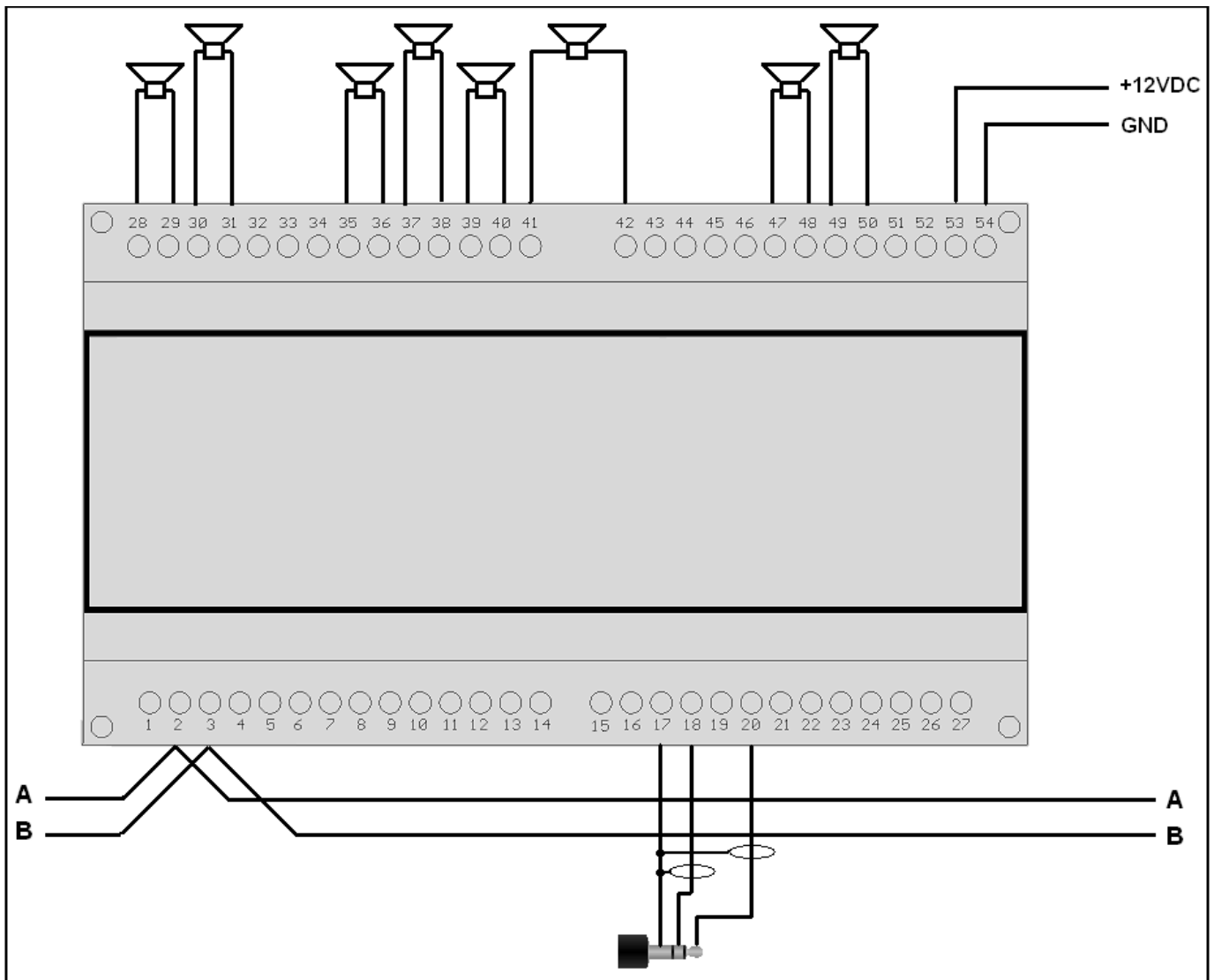
Mono-wire or multi-wire at least 1.5mm<sup>2</sup>;

### Table of Connections:

Number	Function	Number	Function
1	GND	39	Audio Output 4 (+)
2	MD BUS TX (A)	40	Audio Output 4 (-)
3	MD BUS TX (B)	41	Audio Output 3 (-)
17	GND	42	Audio Output 3 (+)
18	Audio Input A	47	Audio Output 2 (+)
19	GND	48	Audio Output 2 (-)
20	Audio Input B	49	Audio Output 1 (-)
28	Audio Output 8 (+)	50	Audio Output 1 (+)
29	Audio Output 8 (-)	51	GND
30	Audio Output 7 (-)	52	+12VDC PSU
31	Audio Output 7 (+)	53	+12VDC PSU
35	Audio Output 6 (+)	54	GND
36	Audio Output 6 (-)		
37	Audio Output 5 (-)		
38	Audio Output 5 (+)		



In the case the module is the last on bus, the jumper must be placed according to Fig 1 a) to close the chain BUS. In other situations it should remain as in Fig 1 b).



**Connect the Bus:**

To connect the BUS should use a twisted pair cable CAT6. For example: Green for **A** and Green/White to **B**. The shield should be connected to GND.

**Connect the outputs:**

Do not connect speakers with impedance lower than 4 ohms.

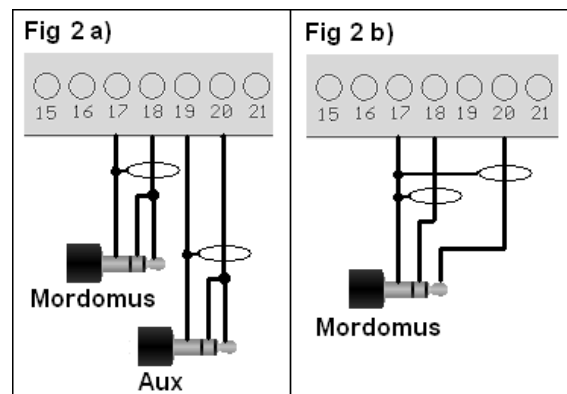
**Connect the 12VDC:**

SND5Wd must be powered by a source exclusively dedicated to it.

It is recommended the use of Mean-Well power supplies, DR60-12.

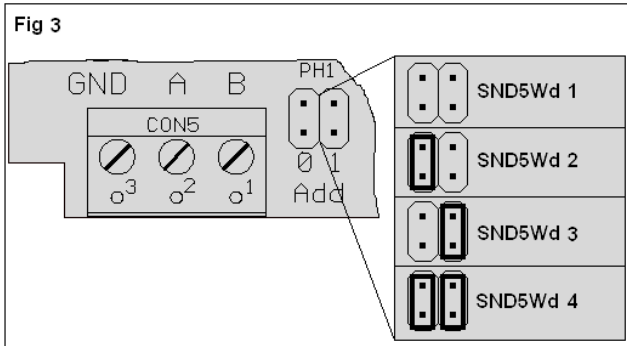
**Connect the audio input:**

The sound inputs should be connected according to Fig 2a) in case you want an input connected to an auxiliary audio source. The connection according to Fig 2b) enables the reproduction of two audio distinct sources from Mordomus.



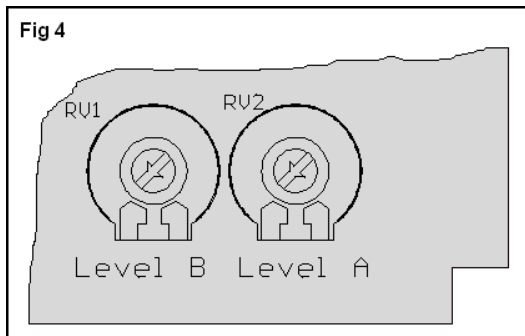
## 6. ADDRESSING AND CONFIGURATION:

To assign one of four addresses SND5Wd desired to place the jumpers in accordance with Fig 3:



The chosen address must not be shared with another module.

Adjusting the input sensitivity:



Input sensitivity may be changed turning the potentiometers RV1 and RV2.

## 7. FUNCTIONING:

### LED Code:

**Green LED ON:** Module powered;

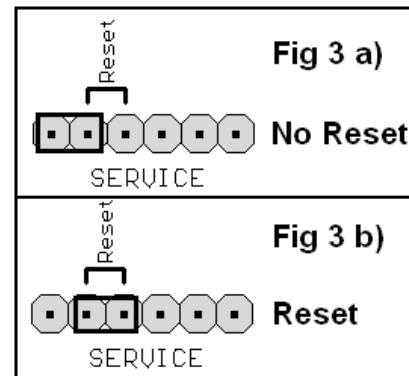
**Green LED blinking briefly:** Module to receiving data;

**Green LED blinking continuously:** Module awaiting address;

**Red LED blinking:** module sending data.

### 12VDC power interruption:

After a power interruption 12VDC, the SND5Wd put all outputs on mute and input selector will be set to input A.



**Reset:** To perform a reset interrupt power to the module 12VDC for a few seconds or place the jumper according to (Fig 3 b) for about 3 seconds to put it back in its original position (Fig. 3 a).