

1. GENERAL FEATURES:

Reading points: 6 digital inputs for reading open-collector and reed contacts from meters;

Control: Via MD BUS;

Applications: Reading Water meters, Gas meters, Electrical meters, etc;

Installation: DIN Rail Distribution Board.

2. GENERAL SPECIFICATIONS:

Voltage: 12VDC;

Consumption: 30mA @ 12VDC;

Storage Temperature: -10°C to 60°C;

Operating Temperature: 10°C to 50°C;

Maximum humidity: 80% non-condensing;

Specifications Inputs:

Nominal voltage at the inputs:

Low Voltage 5VDC;

Maximum allowable resistance of contacts: 50Ω.

Other features:

1. The increment of the count is done on edge (falling-edge);
2. The minimum pulse duration is 4.4 mS. (shorter pulses are ignored);
3. The entries provide a voltage of 5V via a pull-up built-in module.

Physical Specifications:

Dimensions: 105mm X 90mm X 70mm DIN rail mounting (6 modules); Box Plastic, self-extinguishing UL-94 V0;

Level of Protection: IP20, for indoor use.

Directives:



3. CCOMPATIBILITY:

PCCWd Compatibility: Firmware 3.4 or higher.

Mordomus Software Compatibility: Mordomus Software V2015.2 or higher;

4. SECURITY:

Before making any connections, please read these instructions carefully.

Never remove the plastic base from DIN rail.

5. CONNECTIONS:

Thickness of conductors:

Bus Circuit:

CAT6 Cable F/UTP shielded, twisted;

Power Circuit:

Mono-wire or multi-wire at least 0.75mm²

Table of Connections:

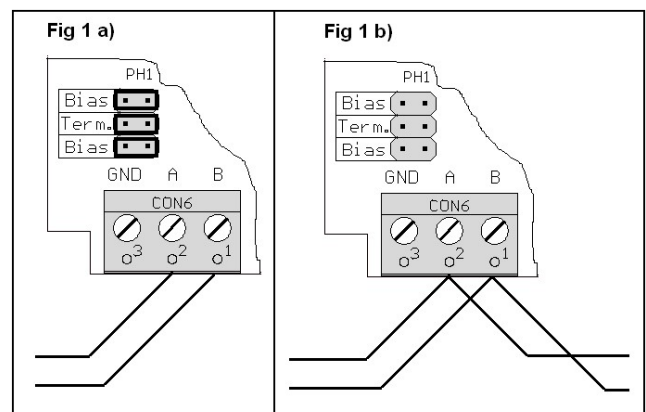
Number	Function	Number	Function
1	GND	21	Input Ch 4
2	MD BUS RX A	22	Input Ch 3
3	MD BUS RX B	23	Input Ch 2
14	GND	24	Input Ch 1
15	GND	25	GND
16	+ 12 VDC	26	GND
17	GND	27	GND
18	GND	28	GND
19	Input Ch 6	29	GND
20	Input Ch 5		

Connect the 12VDC:

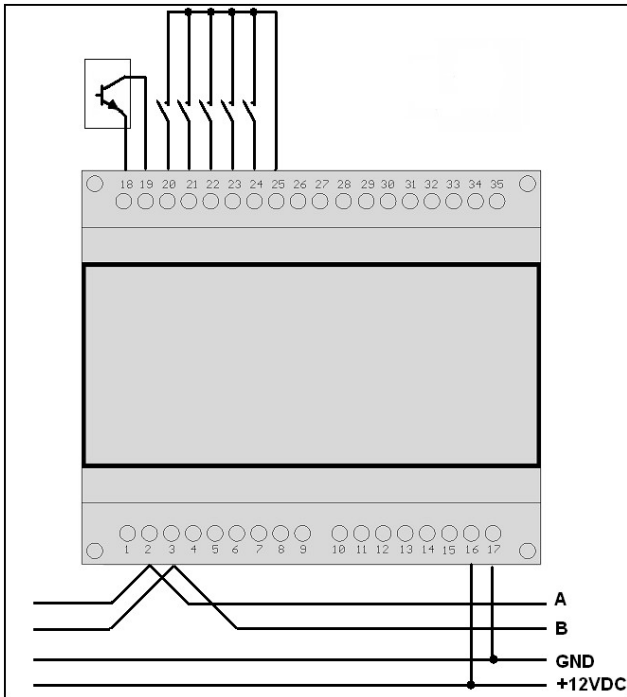
It is recommended the use of Mean-Well power supplies, DR60-12 and DR30-12.

Connect the Bus:

To connect the BUS, must be used a twisted pair cable CAT6. For example: Green for **A** and Green/White for **B**. The shield should be connected to GND.



In case the module is the last position on the bus, jumpers should be placed according to Fig 1 a) to close the BUS chain. In the case of bus length very long you may need only put the jumper Term. In other situations should remain as in Fig 1 b).



6. ADDRESSING AND CONFIGURATION:

Proceed as follows in order to assign an address to the module:

1. In Mordomus software open the window “Hardware Registration”;
2. Press the button “Addressing” on the inside of the module (remove cover). The Green LED will start blinking and the red LED will flash once.

Note that if no address is assigned, after 3 minutes the learning mode will time out and the module will return to normal operating mode.

3. On the now visible pop-up screen in the Mordomus software chose the desired address.

The chosen address must not be shared with any other module.

Refresh rate:

This configurable parameter in Mordomus Software defines the frequency of the pulses measured by PCI64Wd are sent to the Mordomus Software. Smaller this value is, the more bandwidth will be occupied on the Input Bus, which in the case of many PCI64Wd on the bus, can lead to delays in the implementation of other Mordomus functions. The installer must make sure that the refresh rate is chosen according to the number of modules PCI64Wd in the bus together with the characteristics of the meters being read.

Pulses per unit of consumption:

This is a configurable parameter Mordomus Software that establishes the relationship between the pulses and the corresponding consumption recorded. Refer to the manual of the respective counter to get this value.

7. FUNCTIONING:

LED Code:

Green LED ON: Module powered;

Green LED blinking briefly: Module to receiving data;

Green LED blinking continuously: Module awaiting address;

Red LED blinking: module sending data.

Reset: To perform a reset, cut power supply (12VDC) for a few seconds or briefly press the reset button (Fig 2).

Reset: To perform a reset when module, cut 12VDC power supply for a few seconds or place the jumper according to Fig 2 b) for about 3 seconds to put it back in its original position (Fig 2 a)).

