

MSD Cyble

Multi-jet Turbine Water Meter

Available in sizes DN 25, 30, 40 & 50, MSD Cyble is a world class product, with over 10 years of proven experience showing excellent resistance in different conditions of water metering installations.

The technology

MSD Cyble is a multi jet type meter, which has as main characteristics, a measuring chamber designed to distribute the water flow around de turbine.

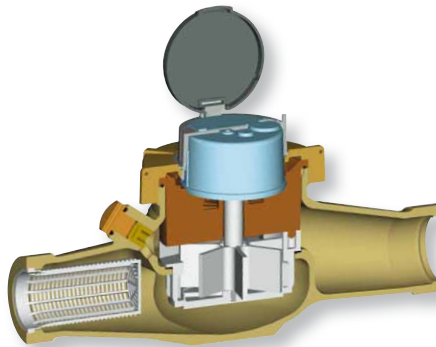
An extra dry register design, using direct magnetic transmission, enables to isolate completely all register gears against contact with water. This design enables to rotate the register to best comfort of reading the accounted volume on index.

Standard Compliance

EEC 75/33 Directive
MID 2004/22/CE
ISO 4064-1 : 1993
ISO 4064-1 : 2005
OIML R49-1 : 2006

Product Evolution

MSD Cyble can be upgraded by use of Automated Remote Reading features, thanks to its register that can be equipped with communicating interface modules for data transmission, for all different AMR solutions: wired, or wireless, fix or mobile network for data collection for different purposes.

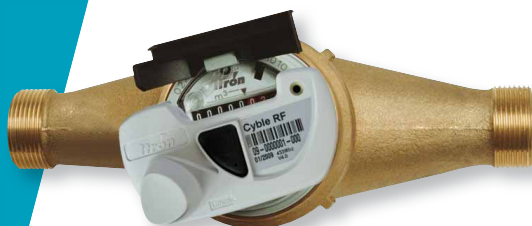


Metrological Performance

Equivalent to class B meters according to ISO 4064-1: 1993 standard, and approved according to European Measuring Instruments Directive (MID) 2004/22/CE, annexe MI – 001. (see table on next page).



- > *MSD Cyble Register*
Plastic housing or Copper Can + Mineral Glass (IP68) options



- > *Cyble RF fitted on MSD Cyble meter*



- > *Product available in copper alloy housing or cast iron. Please, contact us for more information*

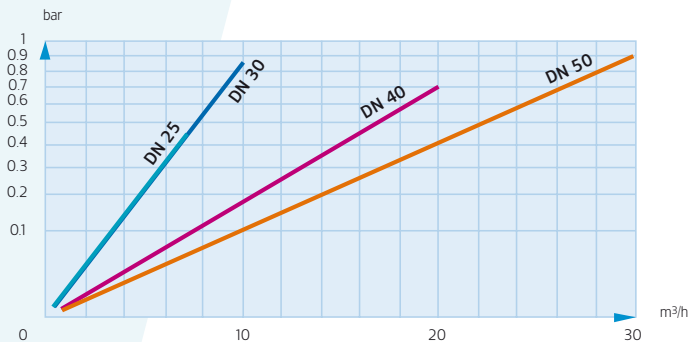
Nominal diameter (DN)	mm	25	30	40	50
	inches	1"	1 1/4"	1 1/2"	2"
MID Approval Certificate		LNE - 17976			
Permanent flowrate Q3	m ³ /h	4	6.3	10	16
Overload flowrate Q4	m ³ /h	5	7.9	12.5	20
Q3/Q1		50	63	50	50
Q2/Q1		1.6			
Position		Horizontal			
Peak flow	m ³ /h	7	10	20	30
Pressure loss group at Q3	bar	<0.2	<0.4	<0.2	<0.3
Maximum admissible temperature	°C	30			
Maximum Accidental Temperature for short periods (Water)	°C	50			

Dimensions

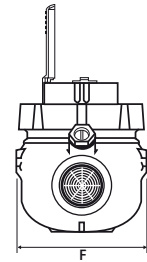
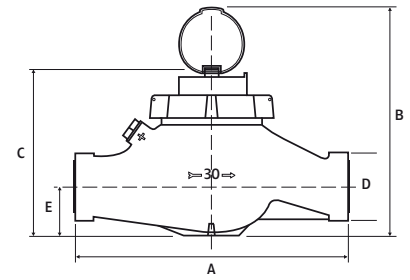
Nominal diameter (DN)	mm	25	30	40	50
	inches	1"	1 1/4"	1 1/2"	2"
A ISO	mm	260		300	
B	mm	190		222	250
C	mm	124		155	182
D	inches	G 1" 1/4 B	G 1" 1/2 B	G 2" B	G 2" 1/2 B
E	mm	34.5		45	53
F	mm	103		128	132
Weight (meter)	Kg	2.1	2.2	4.5	10

50 mm flanged version (ISO or DIN length) upon request.

Head loss



> Dimensions



About Itron Inc.

Itron Inc. is a leading technology provider to the global energy and water industries. Our company is the world's leading provider of metering, data collection and utility software solutions, with nearly 8,000 utilities worldwide relying on our technology to optimize the delivery and use of energy and water. Our products include electricity, gas and water meters, data collection and communication systems, including automated meter reading (AMR) and advanced metering infrastructure (AMI); meter data management and related software applications; as well as project management, installation, and consulting services. To know more, start here: www.itron.com

For more information, contact your local sales representative or agency.

Itron

11, Boulevard Pasteur
67500 Haguenau
France
Phone: +33 3 88 90 63 00
Fax: +33 3 88 90 63 20
www.itron.com