

## 1. GENERAL FEATURES:

**Control points:** 8 points of control;  
**Control:** Via MD BUS;  
**Applications:** Control the intensity LED bulbs;  
**Installation:** DIN Rail Distribution Board;  
**Means of control:** PWM 200Hz.

## 2. GENERAL SPECIFICATIONS:

**Voltage:** 12VDC;  
**Consumption:** 40mA @ 12VDC;  
**Storage Temperature:** -10°C to 60°C;  
**Operating Temperature:** 10°C to 50°C;  
**Maximum humidity:** 80% non-condensing;  
**Working Voltage:** 40VDC;  
**Specifications Outputs:**

Output Current:  
 Instant: 1A;  
 Continuous: 500mA;  
 Rated load: 20W  
 Internal protection:  
 Fuse 4A F

**Warning:** Only replace the fuse with one of the same type and caliber 4A Fast.

### Physical Specifications:

**Dimensions:** 157mm X 90mm X 70mm DIN rail mounting, 9 modules; Box Plastic, self-extinguishing UL-94 V0;  
**Level of Protection:** IP20, for indoor use.

### Directives:



## 3. COMPATIBILITY:

**PCCWd Compatibility:** V3.31 or higher. Note that version V3.31, needs BUS Adapter;  
**Software Compatibility Mordomus:** Mordomus Software v2015.2 or higher;

## 4. SECURITY:

Before making any connections, please read these instructions carefully.  
 Never remove the plastic base from DIN rail.

## 5. CONNECTIONS:

Thickness of conductors:

Loads Circuit:

Mono-wire 2.5mm<sup>2</sup>

Multi-wire 2.5mm<sup>2</sup>

Bus Circuit:

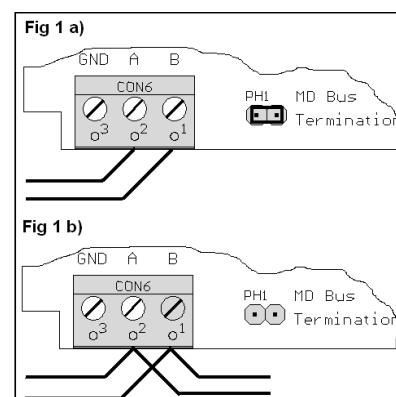
CAT6 Cable F/UTP shielded, twisted;

Circuit Power:

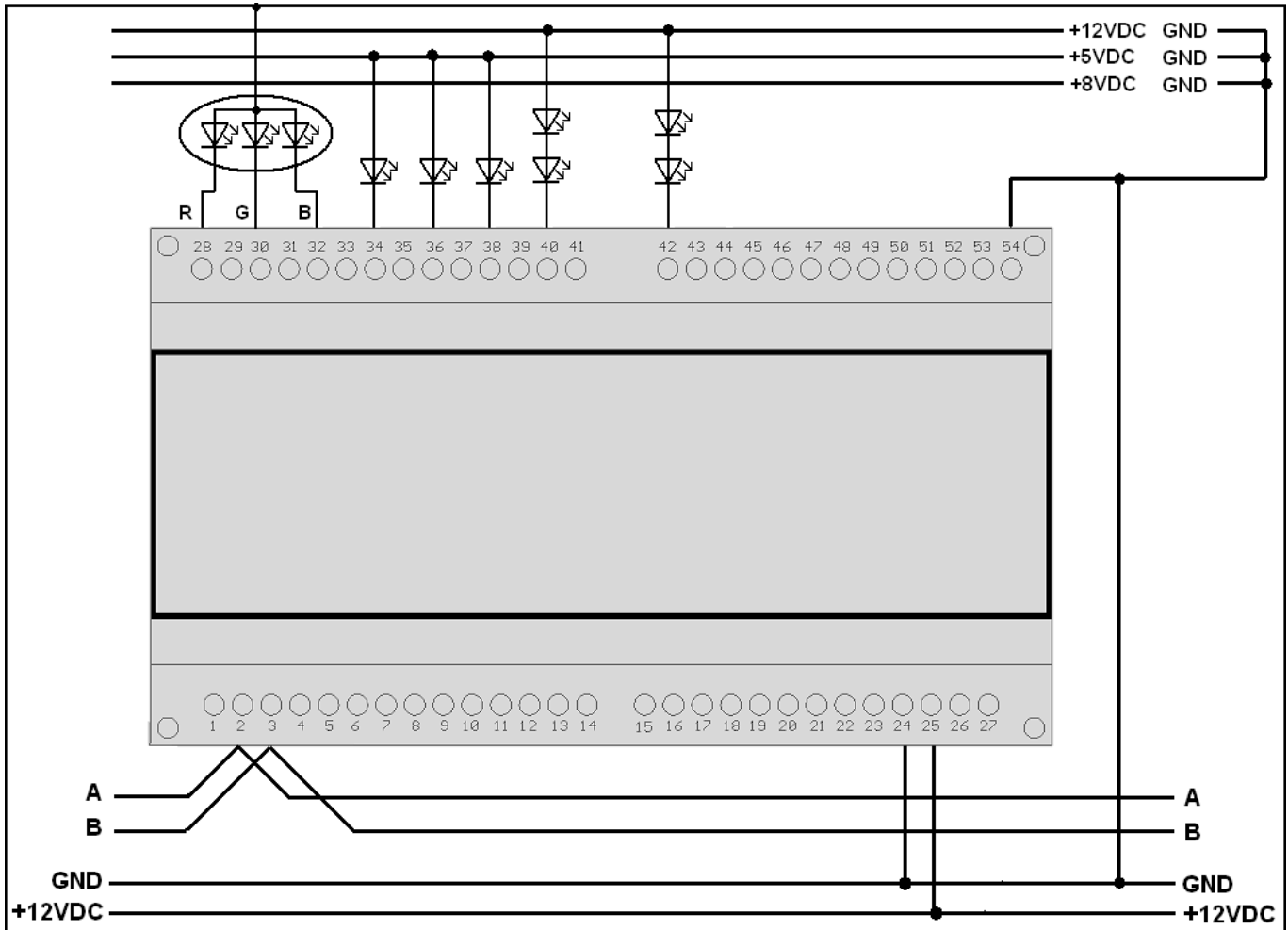
Mono-wire or multi-wire at least 0.75mm<sup>2</sup>

### Table of Connections:

Number	Function	Number	Function
1	GND	36	Output (-) Ch5
2	MD BUS TX (A)	37	Output (-) Ch5
3	MD BUS TX (B)	38	Output (-) Ch6
24	GND	39	Output (-) Ch6
25	+12VDC PSU	40	Output (-) Ch7
26	Not Connected	41	Output (-) Ch7
27	Not Connected	42	Output (-) Ch8
28	Output (-) Ch1	43	Output (-) Ch8
29	Output (-) Ch1	51	Not Connected
30	Output (-) Ch2	52	Not Connected
31	Output (-) Ch2	53	LEDs Comum (+)
32	Output (-) Ch3	54	LEDs Comum (+)
33	Output (-) Ch3		
34	Output (-) Ch4		
35	Output (-) Ch4		



In case the module is the last in bus it must be placed a jumper according to Fig 1 a) to close the chain BUS. In other situations it should remain as in Fig 1 b).



### Connect the Bus:

To connect the BUS should be used a twisted pair cable CAT6. For example: Green for **A** and Green/White to **B**. Shield should be connected to GND.

### Connect the outputs:

Do not use the module with power supplies for LED constant current type.

The LEDs to control should not integrate an internal capacitor.

Do not connect other loads than those indicated in this manual.

### Connect the 12VDC:

We recommend the use of Mean-Well power supplies, DR60-12 and DR30-12.

## 6. ADDRESSING AND CONFIGURATION:

To assign the desired module to do the following:

1. Open the "Register modules" in the Mordomus software;
2. Pressing (Addressing) inside the module. The Green LED will blink slowly and the red LED will pulse once. Note that after three minutes without having assigned a new address, the module automatically returns to normal.
3. Set the desired address at the window now displayed on Mordomus Software.

**The chosen address must not be shared with another module.**

## 7. FUNCTIONING:

### Code of LEDs:

**Green LED ON:** Module powered;

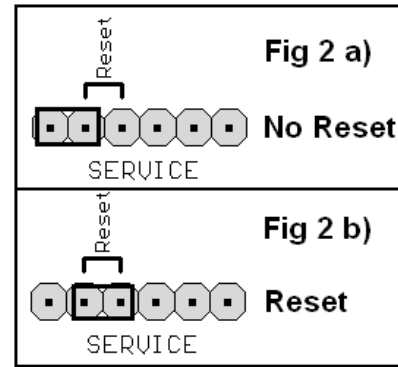
**Green LED blinking briefly:** Module to receiving data;

**Green LED blinking continuously:** Module awaiting address;

**Red LED blinking:** module to sending data.

### 12VDC power interruption:

After a power interruption 12VDC outputs are set to off state and can occur in a flash lamps connected, which should be ignored.



**Reset:** To perform a reset, cut power to module 12VDC for a few seconds or place the jumper according to (Fig 2 b) for about 3 seconds and to put it back in its original position (Fig 2 a).