

1. GENERAL FEATURES:

Control points: 4 points of control;

Control: Via MD BUS;

Applications: Control the intensity of halogen lamps, speed control of small motors and fans;

Installation: DIN Rail Distribution Board;

Means of control: Phase angle (*Leading-edge*).

2. GENERAL SPECIFICATIONS:

Mains Voltage: 12VDC;

Consumption: 40mA @ 12VDC;

Storage Temperature: -10°C to 60°C;

Operating Temperature: 10°C to 50°C;

Maximum humidity: 80% non-condensing;

Working voltage: 230VAC +/-10%;

Operating frequency: 50HZ;

Specifications Outputs:

Rated load:

20VA - 350VA at 230VAC, resistive or reactive

Internal protection:

Fuse F 6,3 A

Warning: Mains voltage always present at the outputs without load connected! Do not connect loads with a power of less than 20VA 230VAC.

Only replace the fuse with one with the same type and caliber.

Physical Specifications:

Dimensions: 105mm X 90mm X 70mm DIN rail mounting (6 modules); Box Plastic, self-extinguishing UL 94-V0;

Level of Protection: IP20, for indoor use.

Directives:



-Electromagnetic Compatibility Directive / EMC Directive 2004/108/EC

- Low Voltage Directive / LVD Directive 2006/95/EC

3. COMPATIBILITY:

PCCWd Compatibility: V3.2 or higher. Note that PCCWD V3.2, V3.31 versions, requires BUS Adapter;

Software Compatibility Mordomus: Mordomus Software v2015.2 or higher;

4. SECURITY:

Before making any connections, please read these instructions carefully.

Never remove the plastic base from DIN rail.

Do not touch live parts. High voltages present in the module.

To access the interior of this equipment must first be disconnected from the mains.

5. CONNECTIONS:

Thickness of conductors:

Circuit Loads:

Mono-wire 2.5mm²;

Multi-wire 2.5mm²;

Circuit Bus:

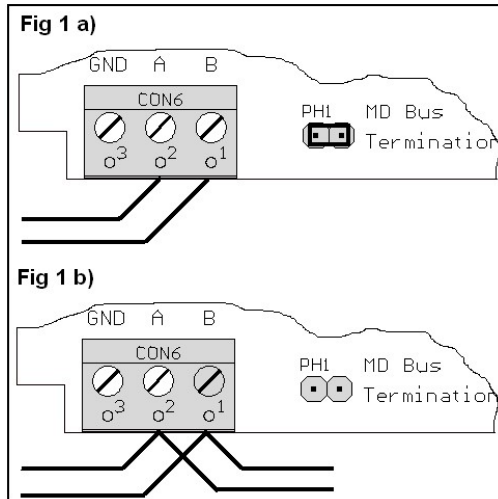
CAT6 Cable F/UTP shielded, twisted;

Power Circuit:

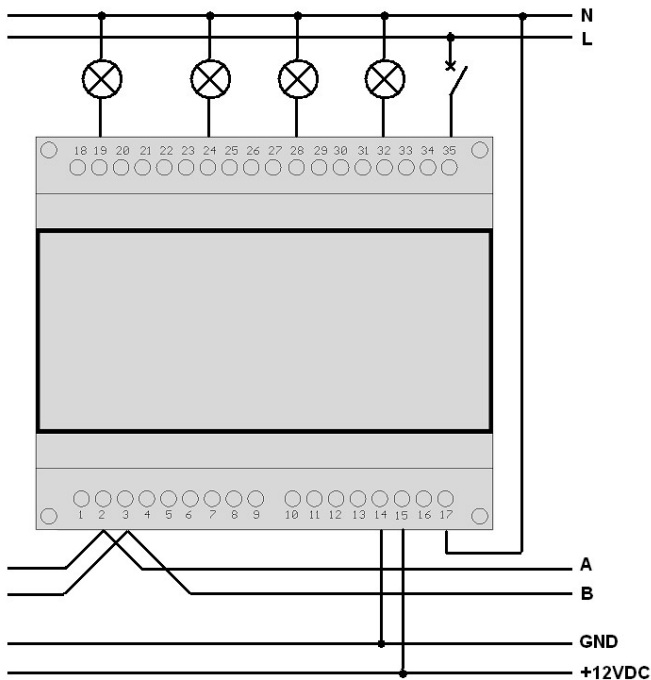
Mono-wire or multi-wire at least 0.75mm²;

Table of Connections:

Number	Function	Number	Function
1	GND	34	Phase
2	MD BUS TX (A)	35	Phase
3	MD BUS TX (B)		
14	GND		
15	+12VDC PSU		
16	Not Connected		
17	Network Neutral		
19	Output Phase 4		
20	Output Phase 4		
24	Output Phase 3		
25	Output Phase 3		
28	Output Phase 2		
29	Output Phase 2		
32	Output Phase 1		
33	Output Phase 1		



In case the module is the last in bus it must be placed a jumper according to Fig 1 a) to close the chain BUS. In other situations it should remain as in Fig 1 b).



Connect the Bus:

To connect the BUS should be used a twisted pair cable CAT6. For example: Green for **A** and Green/White to **B**. Shield should be connected to GND.

Connect the outputs:

The phase mains input of the module (34-35) must be protected by an automatic breaker adequate to the loads connected.

When connecting low-voltage lamps, do not put more than one transformer per output. Verify that the transformer in question allows dimming.

Do not connect fluorescent lamps or other loads than those indicated in this manual.

Connect the 12VDC power:

We recommend the use of Mean-Well power supplies, DR60-12 and DR30-12.

6. ADDRESSING AND CONFIGURATION:

To assign the desired module to do the following:

1. Open the "Register modules" in the Mordomus software;
2. Pressing (Addressing) inside the module. The Green LED will blink slowly and the red LED will pulse once.

Note that after three minutes without having assigned a new address, the module automatically returns to normal.

3. Set the desired address in the window now displayed on Mordomus Software.

The chosen address must not be shared with another module.

To address the module, it should be connected to mains power 115/230VAC.

7. FUNCTIONING:

Code of Leds:

Green LED ON: Module powered;

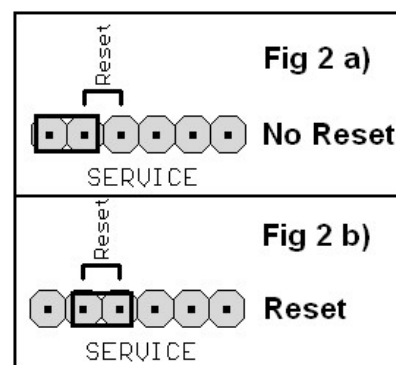
Green LED blinking briefly: Module receiving data;

Green LED blinking continuously: Module awaiting address;

Red LED Mordomus: module sending data.

12VDC power interruption:

After a power interruption 12VDC outputs are set to off state and can occur a flash at lamps connected, which should be ignored.



Reset: To perform a reset, cut power to module 12VDC for a few seconds or place the jumper according to Fig 2 b) for about 3 seconds and to put it back in its original position (Fig 2 a)).