



1. GENERAL SPECIFICATIONS:

- Supply Voltage:** 12/24VDC (7 to 32VDC);
- Maximum current consumption:** 600mA @ 13,8V;
- Storage Temperature:** -10°C to 60°C;
- Operating Temperature:** 0°C to 50°C;
- Maximum humidity:** 80%, non-condensing;
- Communications:** GSM Quad-Band and USB;
- Physical Specifications:**
- Dimensions:** 94,5mm X 64,5mm X46mm;
- Housing:** ROHS, Self-extinguishing ABS;
- IP grade:** IP20.

2. SAFETY:

Read this instructions carefully before attempting to perform any connections to the module.

Radiofrequency transmitters such as the HBCOM might interfere with the operation of weakly shielded medical equipment. Before using HBCOM near any medical equipment one must consult the responsible Medic.

We also advise to keep a minimum safety distance of 50cm between HBCOM's antenna and any medical equipment (pacemaker, hearing-aid, etc).

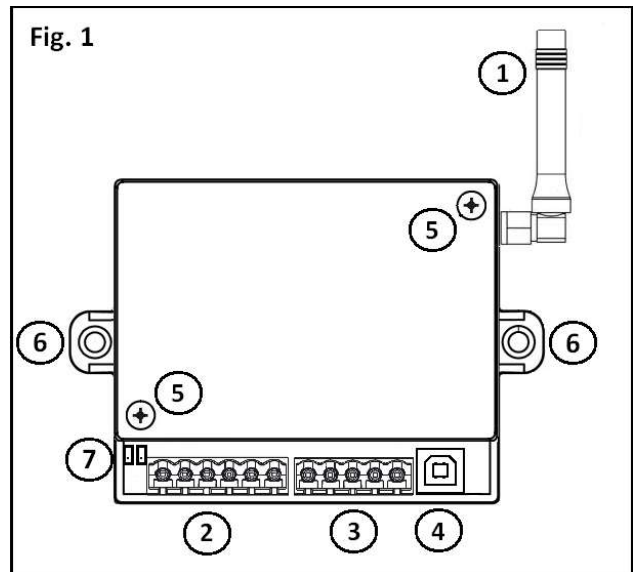
The radiofrequency transmitter contained in HBCOM might interfere with the navigation or control system on airplanes. Do not power up HBCOM inside an airplane.

Do not use HBCOM in explosive environments.

Always, connect the power supply before connecting the USB connector. Never allow HBCOM to be solely connected to an USB host without the power supply being connected. Failure to do so might lead to damage to the equipment.

3. OVERVIEW:

Element location Fig.1:

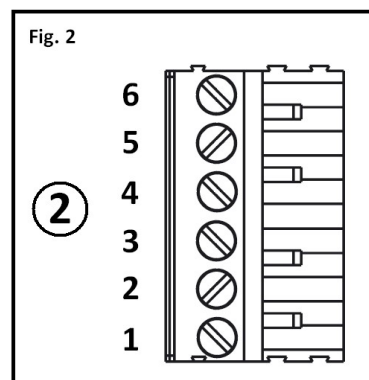


1. GSM Antenna
2. Connector 2, PSU
3. Connector 3,
4. USB connector
5. PH head screws to remove cover
6. Fixing holes
7. Status LEDs (Red and Green)

4. CONNECTIONS:

Connect HBCOM to the host PC via an USB (A to B) cable.

Connector 2 pinout Fig.2:



Pin of connector 2	Function
6	No connection
5	No connection
4	No connection
3	No connection
2	GND
1	+ 12V Power Supply

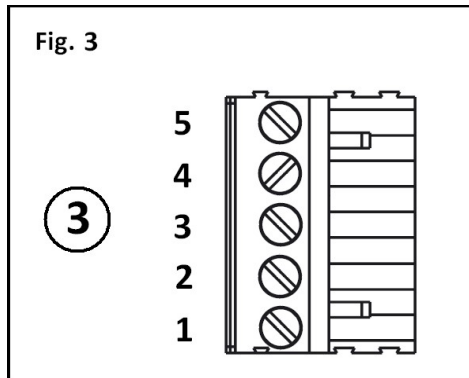


HBCOM contains a failure detection mechanism for the CPU connected to it via USB.

The interconnection between HBCOM and IOLdcare system must be carried out according to the connection table of connector 3.

Note that only PCCWd FW V3.42 or later are prepared for this feature.

Connector 3 pinout Fig.3:



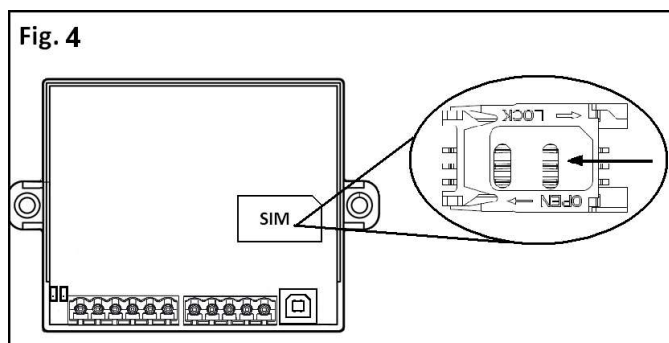
Pin of connector 3	Function
5	Do not connect (MORDOMUS) Terminal 13 of PCCWd (iOldCare)
4	Do not connect (MORDOMUS) Terminal 14 of PCCWd (iOldCare)
3	Do not connect
2	Do not connect
1	Do not connect

5. SIM CARD:

IMPORTANT!

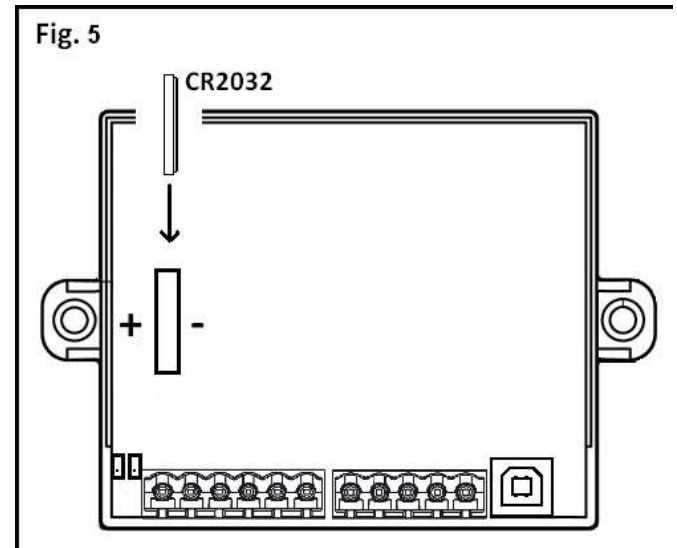
The SIM card must have either the PIN validation disabled or the PIN set to 1111.

To insert the SIM card, remove both PH head screws (items 5 in Fig. 1) and insert the SIM card according to Fig. 4.



6. INTERNAL COIN CELL:

To insert the coin cell, remove both PH head screws (items 5 in Fig. 1) and insert the cell according to Fig. 5.



7. STATUS / ERROR CODES:

LEDs. Items 7 in Fig.1.

Description	Green LED	Red LED
Modem ligado	Lit	---
USB Link	Lit	Flashing

This equipment complies with the communication norms and regulations: CE, GCF, China RTE, R&TTE, PTCRB, AT&T, FCC, IC.

8. CONFIGURATION:

Mordomus software menu go to the "Settings", then select "General" and "GSM modem":

1. In the **Port** field, select the corresponding COM port to HBCOM ;
2. **Equipment** field, select Mordomus HBCOM.
3. Insert Card PIN (The SIM card must have either the PIN validation disabled or the PIN set to 1111).
4. Press the **Apply** button.