

1. GENERAL FEATURES:

Reading points: 60 wireless input devices and 60 wireless output devices.

Control: Via MD BUS e EnOcean®;

Applications: Interface between wireless devices and EnOcean® Mordomus;

Installation: DIN Rail.

2. GENERAL SPECIFICATIONS:

Voltage: 12VDC;

Consumption: 70mA @ 12VDC;

Storage Temperature: -10°C to 60°C;

Operating Temperature: 10°C to 50°C;

Maximum Humidity: 80%, non-condensing;

Physical Specifications:

Dimensions: 105mm X 90mm X 70mm, DIN rail mounting (6 modules); Box Plastic, self-extinguishing UL-94 V0;

Level Protection: IP20, for indoor use.

3. COMPATIBILITY:

PCCWd Compatibility: Firmware 3.42 or higher.

Mordomus Software Compatibility: Mordomus Software v2015.2 or higher;

4. SECURITY:

Before making any connections, please read these instructions carefully.

Never remove the plastic base from DIN rail.

5. CONNECTIONS:

Thickness of conductors:

Bus Circuit:

CAT6 Cable F/UTP shielded, twisted;

Power circuit:

Mono-wire or multi-wire at least 0.75 mm²

Table of Connections:

Number	Function
1	GND
2	MD BUS Inputs A
3	MD BUS Inputs B
4	GND
5	MD BUS Outputs A
6	MD BUS Outputs B
14	GND
15	+12VDC
16	GND
17	+12VDC

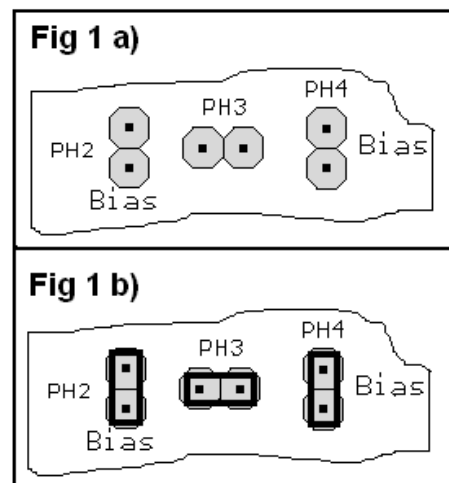
Connect the 12VDC:

The use of *Mean-Well*, *DR60-12* or *DR30-12* power supplies is recommended.

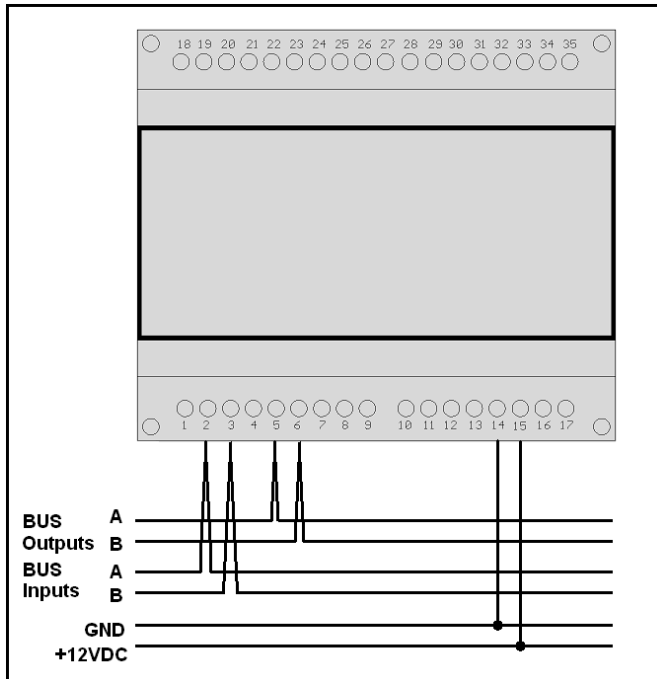
Connect the Bus:

To connect the BUS, must be used a pair-Interlace CAT6 cable. For example, Green for **A** and Green/White for **B**,

The shield should be connected to GND.



If the module is the last module at Mordomus Bus, the jumpers must be placed according to Fig 1 b) to close the BUS chain. In other situations it should remain as in Fig 1 a).



6. ADDRESSING AND CONFIGURATION:

Before you can address the ENOWd you will have to enter the license card supplied with the module into the Mordomus software.

The ENOWd is ready to be addressed when Led D2 is on.

To assign the desired address to the module proceed as following:

1. Open the "Registering Modules" window at Mordomus software.
2. Remove the module cover loosening the housing screws by means of a PH1 tool.
3. Press (Addressing) button inside the module. The
4. D2 Green LED will flash slowly and the D4 Red LED will pulse once. Note that after three minutes without having assigned a new address, the module automatically returns to normal mode.
5. Define the desired address at Mordomus software at the displayed window.

Repeater: When active, all EnOcean telegrams that have not yet been repeated by another repeater, will be forwarded by ENOWd. (Level Repeater 1).

To enable or disable the repeater, press and hold the button *Addressing* for more than 3 seconds. When LED *D5* is lit the repeater is enabled, and when *D5* is off the repeater is also off. This configuration is automatically stored in non volatile memory.

7. FUNCTIONING:

Code of Leds:

D2 Green LED:

Access - Module powered and registered;

Briefly pulse - Module receiving data by Bus Mordomus;

Intermittent - Module waiting address.

D4 Red LED:

Brief pulse - Module receiving data by Bus Mordomus.

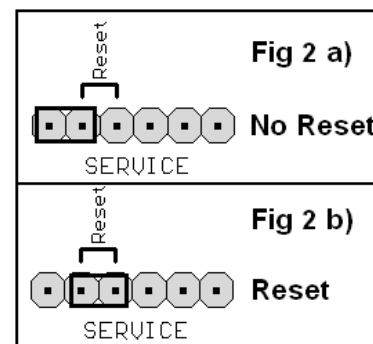
Pulse 10 in 10 seconds - Module waiting registration.

D3 Green LED:

Briefly pulse - Module to receive wireless data;

D5 Red LED:

Briefly pulse - Module to send wireless data.



Reset: To perform a reset to the module, cut power supply 12VDC for a few seconds or place the jumper according to Fig 2 b) for about 3 seconds and put it back in its original position Fig 2 a).